



## EXTRA LARGE OUTSIDE MICROMETER

220 SERIES



Standard: DIN 863 / IAIS

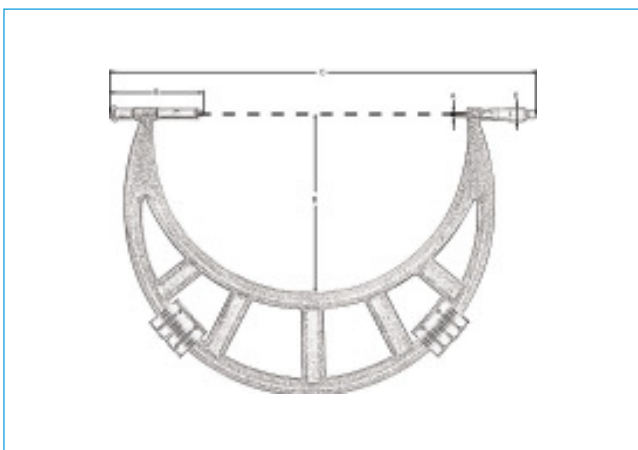
- Features wide measuring range with interchangeable anvils
- Hardened and ground spindles/anvils
- "Tube type" low weight model
- Resolution 0.01mm
- Satin-chrome scale
- Dur-al frame with insulated grips
- With tungsten carbide measuring faces and constant force ratchet
- Packed in wooden/plastic box with standard and adjusting key

Code no.

Range

Resolution

MW220-01	300-400mm	0.01mm
MW220-02	400-500mm	0.01mm
MW220-03	500-600mm	0.01mm
MW220-04	600-700mm	0.01mm
MW220-05	700-800mm	0.01mm
MW220-06	800-900mm	0.01mm
MW220-07	900-1000mm	0.01mm
MW220-08	1000-1200mm	0.01mm
MW220-09	1200-1400mm	0.01mm





# MICROMETERS

## 220-DDL SERIES

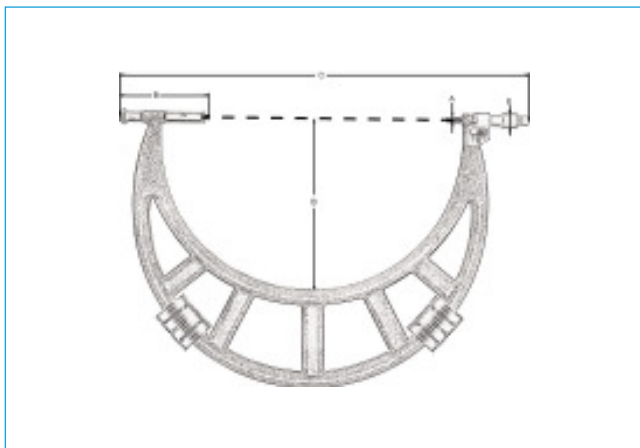
## EXTRA LARGE DIGITRONIC OUTSIDE MICROMETER



Standard: DIN 863 / IAIS

- Features wide measuring range with interchangeable anvils
- Hardened and ground spindles/anvils
- "Tube type" low weight, Dur-al frame with insulated grips
- Tapered for easier access to difficult areas
- Large 7.5mm character height digital display
- Modern design

- Soft keys' for maximum operating comfort
- Long life guaranteed
- Functions: mm/inch conversion, tolerance indication, ABS/INC, preset, on/off, zero-setting, data-output, battery low indication
- With tungsten carbide measuring faces and constant force ratchet on thimble
- Packed in wooden/plastic box with standard and adjusting key



Code no.	Range	Resolution
220-01DDL	300-400mm / 12-16"	0.001mm / 0.00005"
220-02DDL	400-500mm / 16-20"	0.001mm / 0.00005"
220-03DDL	500-600mm / 20-24"	0.001mm / 0.00005"
220-04DDL	600-700mm / 24-28"	0.001mm / 0.00005"
220-05DDL	700-800mm / 28-32"	0.001mm / 0.00005"
220-06DDL	800-900mm / 32-36"	0.001mm / 0.00005"
220-07DDL	900-1000mm / 36-40"	0.001mm / 0.00005"