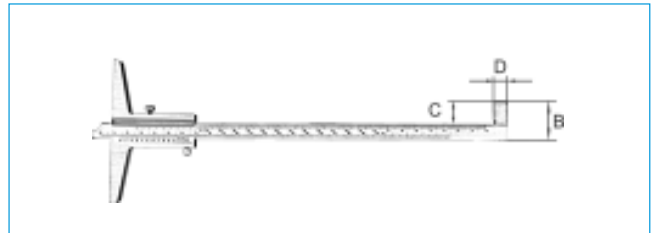
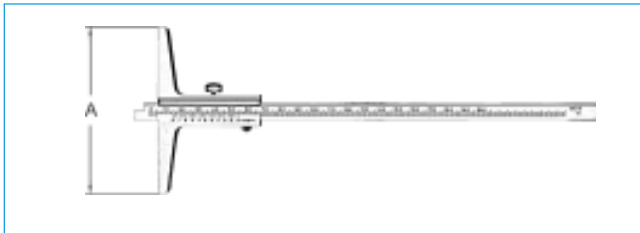




DEPTH GAUGE

170 SERIES

VERNIER DEPTH GAUGE





VERNIER DEPTH GAUGE

170 SERIES

Standard: Factory Standard

- Standard workshop model made of alloyed stainless steel
- Available with hook (H) or without hook (B)
- Screw stop solid slider model
- With laser engraved graduations
- The scale shows mm value
- Measuring surface is micro-lapped

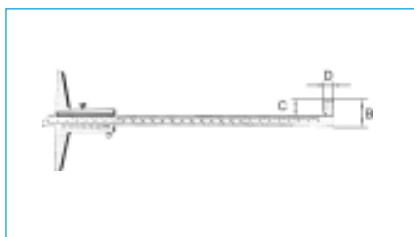
Code no.	Range	Resolution	Base (A)
MW170-15	0-150mm	0.02mm - 0.001"	100mm
MW170-15B	0-150mm	0.05mm - 1/128"	100mm
MW170-15H	0-150mm	0.02mm - hook	100mm
MW170-15HI	0-150mm	0.001" - hook	100mm
MW170-20	0-200mm	0.02mm - 0.001"	100mm
MW170-20B	0-200mm	0.05mm - 1/128"	100mm
MW170-20H	0-200mm	0.02mm - hook	100mm
MW170-20HI	0-200mm	0.001" - hook	100mm
MW170-30	0-300mm	0.02mm - 0.001"	100mm
MW170-30B	0-300mm	0.05mm - 1/128"	100mm
MW170-30H	0-300mm	0.02mm - hook	100mm
MW170-30HI	0-300mm	0.001" - hook	100mm
MW170-50B	0-500mm	0.05mm - 1/128"	150mm
MW170-50BI	0-500mm	0.02mm - 0.001"	150mm
MW170-70B	0-750mm	0.05mm - 1/128"	150mm
MW170-70BI	0-750mm	0.02mm - 0.001"	150mm
MW170-75B	0-1000mm	0.05mm - 1/128"	150mm
MW170-75BI	0-1000mm	0.02mm - 0.001"	150mm

TOP QUALITY DIGITRONIC DEPTH CALIPER

170-DDL SERIES

Standard: Factory Standard

- Top quality digital depth caliper
- Available with hook (H) or without hook (B)
- Modern design
- 'Soft keys' for maximum operating comfort
- Large 7.5mm character height digital display
- Long life guaranteed
- Ground micro-lapped measuring surfaces
- Functions: mm/inch conversion, on/off, data-output, zero-setting, battery low indication



Code no.	Range	Resolution	Base (A)
MW170-15DB	0-150mm / 0-6"	0.01mm / 0.0005"	100mm
MW170-15DH	0-150mm / 0-6"	0.01mm / 0.0005"	100mm
MW170-20DB	0-200mm / 0-8"	0.01mm / 0.0005"	100mm
MW170-20DH	0-200mm / 0-8"	0.01mm / 0.0005"	100mm
MW170-30DB	0-300mm / 0-12"	0.01mm / 0.0005"	100mm
MW170-30DH	0-300mm / 0-12"	0.01mm / 0.0005"	100mm



DEPTH GAUGE

175-TG SERIES

TYRE PROFILE GAUGE

Standard: Factory Standard

- Mechanical tyre profile depth gauge
- Simple design, not suitable for high accurate measurement
- Gives indication values only

Code no.	Range	Resolution
MW175-01TG	0-30mm	0.1mm



175-DTG SERIES

TOP QUALITY DIGITRONIC TYRE PROFILE GAUGE



Standard: Factory Standard

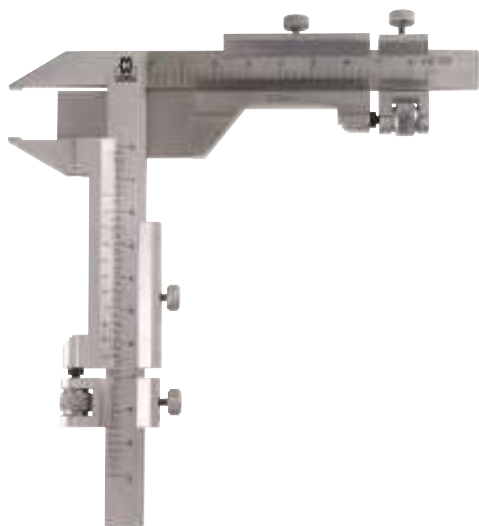
- Top quality tyre profile depth gauge
- Modern design
- 'Soft keys' for maximum operating comfort
- Large 7.5mm character height digital display
- Long life guaranteed
- Functions: on/off, zero-setting, battery low indication
- Blister packing

Code no.	Range	Resolution	Base
MW175-01DTG	0-25mm	0.01mm	60mm



PRECISION GEAR MODUL CALIPER

180 SERIES



Standard: Factory Standard

- Special vernier caliper for measuring gear modul
- Made of alloyed stainless steel
- With tungsten carbide measuring surfaces
- Chromed scale with engraved mm graduations
- Fine adjustment in both axes
- Packed in wooden case

Code no.	Range
MW180-01	Modul 1 to 26

PRECISION WELDING VERNIER CALIPERS

182 & 182-D SERIES

Standard: Factory standard

DIGITAL

- Modern design
- 'Soft keys' for maximum operating comfort
- Large 7.5mm character height digital display
- Long life guaranteed
- Functions: mm/inch conversion, on/off, data-output, zero-setting, battery low indication

ANALOGUE

- Simple workshop model with stop screw
- Made of hardened stainless steel
- Engraved mm or inch scale



Code no.	Range	Scale	Resolution
Digital MW182-01D	60°, 70°, 80° and 90°	mm/inch	0.01mm
Analogue MW182-01	60°, 70°, 80° and 90°	mm	0.01mm



DEPTH GAUGE

DIGISCALE SERIES

DIGITRONIC VERTICAL LENGTH MEASURING SYSTEM



Standard: Factory Standard

- Digital length measuring system based on our DIGITRONIC technology
- Large field of application
- Modern design
- 'Soft keys' for maximum operating comfort
- Large 7.5mm character height digital display
- Long life guaranteed
- Functions: mm/inch conversion, on/off, data-output, zero-setting, preset, battery low indication
- Mounting material included

Code no.	Range	Resolution
MWDSV-010D	0-100mm / 0-4"	0.01mm / 0.0005"
MWDSV-020D	0-200mm / 0-8"	0.01mm / 0.0005"
MWDSV-030D	0-300mm / 0-12"	0.01mm / 0.0005"
MWDSV-050D	0-500mm / 0-20"	0.01mm / 0.0005"
MWDSV-060D	0-600mm / 0-24"	0.01mm / 0.0005"
MWDSV-080D	0-800mm / 0-32"	0.01mm / 0.0005"
MWDSV-100D	0-1000mm / 0-40"	0.01mm / 0.0005"

DIGISCALE SERIES

DIGITRONIC HORIZONTAL LENGTH MEASURING SYSTEM



Standard: Factory Standard

- Digital length measuring system based on our DIGITRONIC technology
- Large field of application
- Modern design
- 'Soft keys' for maximum operating comfort
- Large 7.5mm character height digital display
- Long life guaranteed
- Functions: mm/inch conversion, on/off, data-output, zero-setting, battery low indication
- Mounting material included

Code no.	Range	Resolution
MWDSH-010D	0-100mm / 0-4"	0.01mm / 0.0005"
MWDSH-020D	0-200mm / 0-8"	0.01mm / 0.0005"
MWDSH-030D	0-300mm / 0-12"	0.01mm / 0.0005"
MWDSH-050D	0-500mm / 0-20"	0.01mm / 0.0005"
MWDSH-060D	0-600mm / 0-24"	0.01mm / 0.0005"
MWDSH-080D	0-800mm / 0-32"	0.01mm / 0.0005"
MWDSH-100D	0-1000mm / 0-40"	0.01mm / 0.0005"